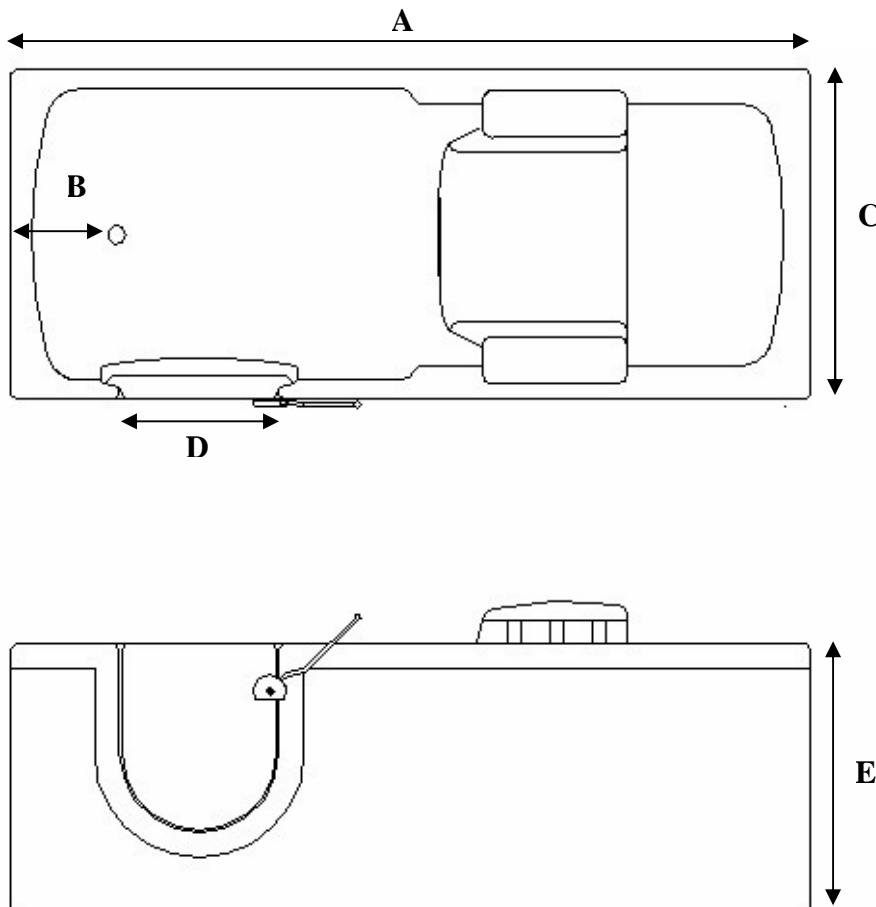
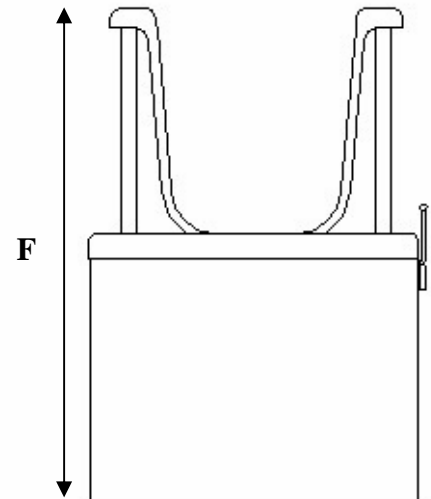


Cambridge Plus Pre Installation Requirements



DIMENSIONS

A	1700 or 1500mm
B	222mm
C	700mm
D	340mm
E	555mm
F	1030mm



Bath Positioning

When deciding on the positioning of the bath there are a number of points that may need to be taken into consideration:

1. Wheelchair access
2. Service/cleaning access
3. Under floor pipe work or cabling
4. Distance from walls/other objects

If you need further assistance in deciding on positioning please contact your representative for advice.

Access

Minimum dimensions for access purposes can be found on the plan drawings at the top of page one of this document.

Please refer to the fitting instructions, supplied with the bath or the technical help line on 0870 066 0809 if you require further assistance.

Services Required

1. ¾” BSP Male cold water inlet, at the left hand side of the front (tap end) of the bath.
2. ¾” BSP Male hot water inlet, at the right hand side of the front of the bath.
3. 40mm Waste outlet @ 3ltr/Sec, at the front of the bath.
4. 5Amp IP rated Non Switched Fused Spur, located within 500mm of the seat end of the bath, positioning and specification to be in accordance with IEE regulations.

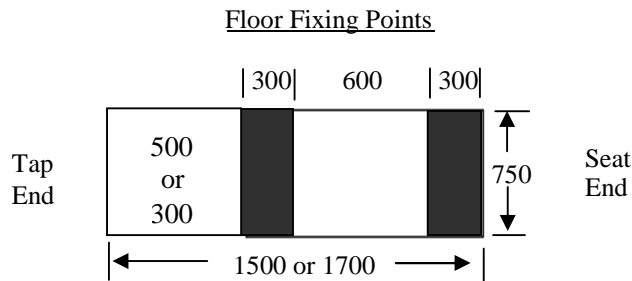
Additional power supply required if Spa Option fitted to bath

5. 13Amp IP rated Non Switched Fused Spur. Located within 500mm of the seat end of the bath, positioning and specification to be in accordance with IEE regulations.



It is important that the installer is made aware of the location of water stop cocks and mains electric RCD/trip switch on arrival to the property.

(Photograph for illustration purposes only)



Floor Space Under Bath. All dimension in millimetres

The floor directly under the bath must be a sound, solid and even surface. Particular attention should be paid to the shaded areas on the above plan in which the bath feet will be screwed down, these areas must be of sound construction with no buried services.

Electrical Connection & Earth Bonding

A 30mA RCCD or RCBO is required in compliance with current IEE regulations, this should be located just outside of the bathroom or on the consumer unit covering that area of the building.

Earth bonding is mandatory whether a Spa is fitted or not

10mm Earth Bonding and a minimum of 4mm Cross Bonding is to be fitted and tested for continuity in accordance with IEE regulations.

Water Pressure Requirement

As the Cambridge Plus bath requires a Heatguard Thermostatic Mixing Valve, which has been approved under the TMV scheme, please read the following which outlines how a TMV may effect the use of the bath.

The working parameters of the TMV require a water pressure of 1-5 bar with a maximum pressure loss ratio of 10:1 between hot and cold feeds.

It is important to note that a pressure difference between hot and cold pipes will have a great effect on the time it takes to fill a bath, i.e;

Hot water 1.4 bar and Cold water 2.4 bar = Approx. 9min. to fill bath with 180 litres

Hot water 2.2 bar and Cold water 2.2 bar = Approx. 5min. to fill bath with 180 litres

If in doubt a pressure test should be carried out prior to installation of the bath, and if required, a booster pump or pressure reducing valves fitted.