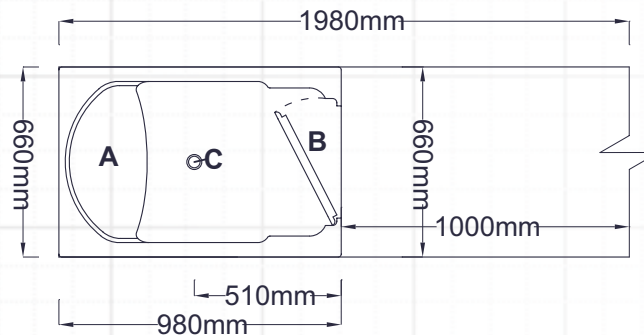


the Ullswater walk-in bath

Room Layouts NB: These drawings are not to scale

(Minimum space requirements to operate bath - Peninsula or Island arrangement recommended)

- A** Built-in fixed seat
- B** Door (inward opening)
- C** Waste



● Front Opening