

## PRO Comfort Bath

Delivering reliable performance and functionality for a care home setting.



Optimised for efficiency and performance in multi-user settings the PRO Comfort bath is a variable height bath with powered seat.

The height adjustable nature of the PRO bath ensures a safe working height for carers. The powered transfer seat moves the bather smoothly in and out of the bath, providing a relaxing and safe bathing environment for bather and carer.

Sizes available:

PRO Comfort Bath Variable height bath available in 1500 and 1700 lengths.

Detachable transfer seat model also available.

### Key features:

- Fully-adjustable, hi-lo bath ensures a safe, comfortable working height for carers
- Powered seat traverse effortlessly transfers the bather in and out of the bath, reducing the need for manual handling
- Detachable transfer chair system option to assist carers when transporting bathers between rooms
- The 1700mm full length bath boasts extra-long internal bathing length and wide seating area, ensuring optimum comfort for bathers
- Double skinned bath panels for added durability and strength
- The ultra-compact 1500mm bath is perfect for space restricted environments
- TMV3 controls maintain a safe, comfortable, pre-set water temperature, reducing any risk of scalding
- Shepherds crook shower offers CAT5 protection suitable for commercial environments
- Easy clean stainless steel bath seat frame and adjustable nursing arms for client comfort and safety
- Reliable, quiet electronics with integrated battery backup safety system in case of mains power failure
- Ergonomic and intuitive remote handset for easy and simple operation
- Comes as standard with variable height hoist access island panel set and chrome dial pop up waste and overflow
- 165kg (25 stone) (powered traverse seat), safe lifting weight accommodates the majority of bathers
- Left or right-hand configurations adapt to any bathroom layout

01527 40022

info@gainsboroughbaths.com

www.gainsboroughbaths.com



**Gainsborough Healthcare Group**  
*Life enhancing bathing.*

# PRO Comfort Bath

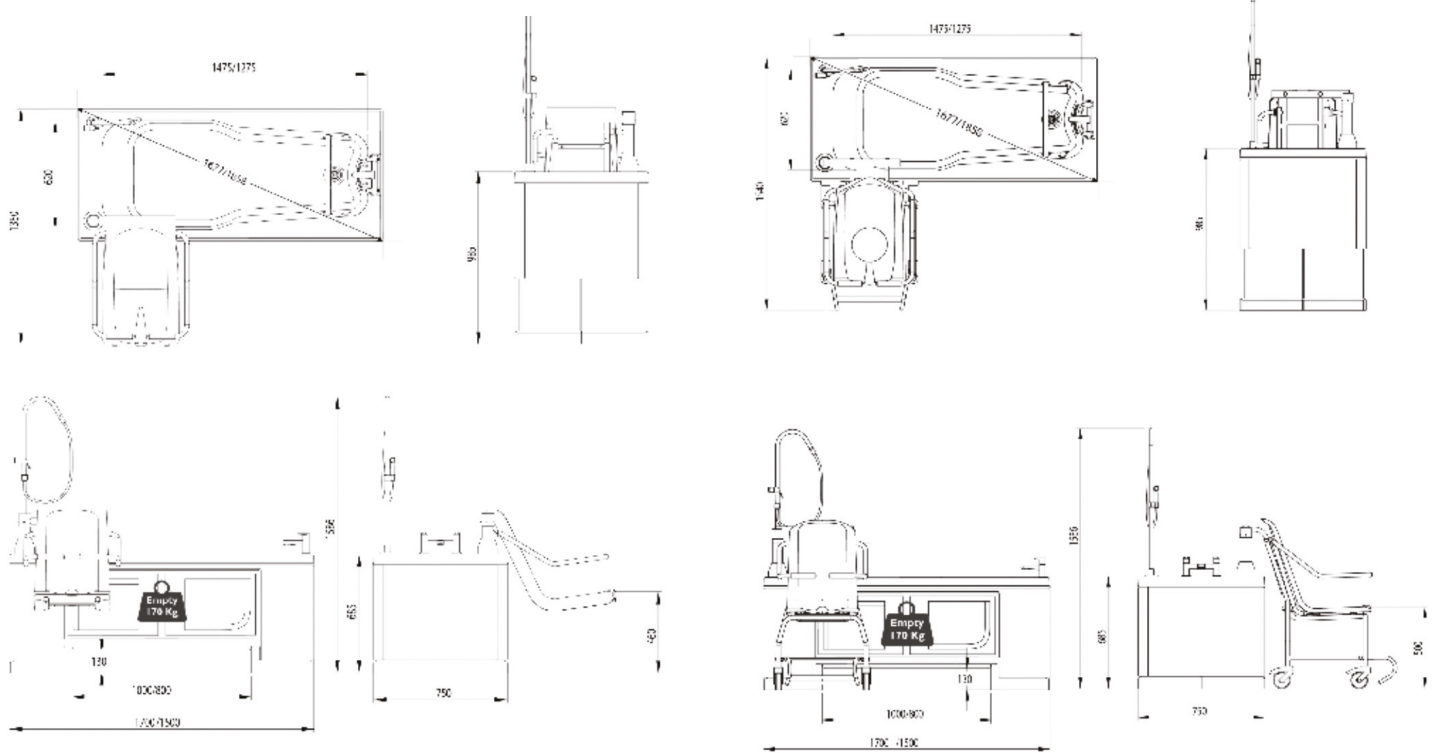
- Detachable transfer chair – assists carers when transporting the bather and reduces the number of transfers
- Easy to clean with hygiene aperture for seamless transfer from toileting to bathing
- Four locking wheels and footrest ensure effortless operation and additional client support



## Technical Drawings

Dimensions in millimetres (mm).

Right-hand example (handing of a bath is indicated by the exit point of the bath when in a seated position).



Gainsborough Healthcare Group  
*Life enhancing bathing.*

01527 40022

info@gainsboroughbaths.com  
www.gainsboroughbaths.com

# PRO Comfort Bath

## Technical specification

Length (mm)	1500/1700
Width (mm)	750
Height (mm)	685
Internal depth (mm)	420
Footwell width (mm)	420
Internal width (mm)	605
Internal length (mm)	1275/1475
Seat Base length / width (mm)	460/430
Seat transfer height when down outside bath (mm) Standard/Detachable	460/500
Rise and fall of bath (mm)	300
Bath height with shower pole (lowered) (mm)	1586
Bath height with shower pole (raised) (mm)	1886
Hoist Tunnel - 1500/1700 (mm)	130*800 / 130* 1000
Maximum user weight	165kg fixed seat, 140kg Transfer seat (minimum 40kg)
Water capacity	1500mm - 200 litres 1700mm - 230 litres
Approximate bath weight (empty)	1500mm - 142kg 1700mm - 170kg
Approximate bath weight (full)	1500mm - 342kg 1700mm - 400kg
Detachable Transfer System Weight	Seat/Commode - 8.8kg Trolley - 10kg
Typical mechanical operation times	Bath: 36 secs to raise 32 to

lower	
Class I Electrical Device	
Power supply	Mains 230V to be supplied via 30mA RCD
Operating voltage	24V
Battery backup	24V DC lead acid, for emergency use only
Actuator duty cycle	Max. 10% or 2min continuous use followed by 18min not in use.  The life cycle test has been performed with a stabilised power supply (10% duty cycle) on a 20mm stroke actuator at max. load for 10,000 cycles at ambient temperature
Water supply	Unblended Hot & Cold water at 1bar Min > 3.5bar Max pressure
IP Rating	IPX3
A' weighted sound emission	<60dB(A)
A' weighted sound emission with air spa system (option)	<75dB(A)
Ambient temperature range	5°C to 50°C
Relative humidity range	10-80%
Atmospheric pressure range	50kPa to 106kPa

